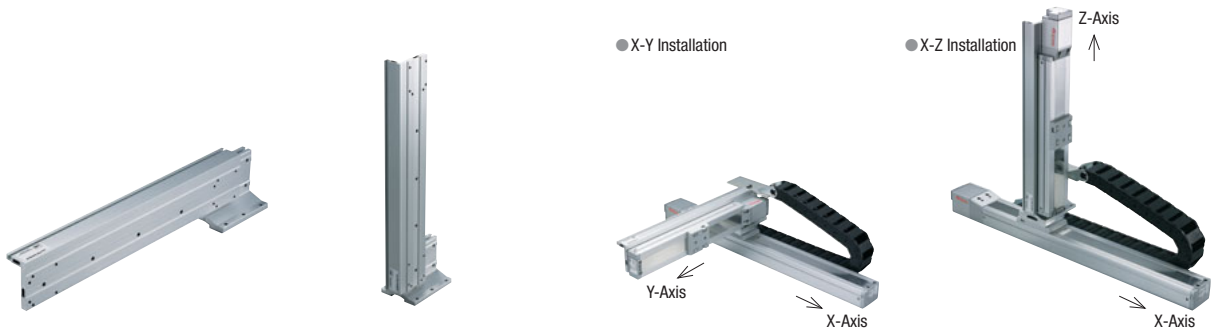


Dual Axis Installation Bracket (Straight Type Only)

These are dedicated mounting brackets for using electric linear slides from the **EZS** Series along two axes.



Feature

- **EZS** Series dual axis combinations can be easily implemented

Using the dedicated mounting bracket allows you to easily use **EZS** Series electric linear slides in dual axis combination. Various products can be used in each direction for X-Y installations and X-Z installations.

<Available Combinations of Products>

[X-Y Installation]

X Axis	Y Axis	Transportable Mass (kg)
EZS4-D	EZS3-D	2.3 Max.
EZS6-D	EZS3-D	5.7 Max.
EZS6-D	EZS4-D	12.7 Max.

[X-Z Installation]

X Axis	Z Axis	Transportable Mass (kg)
EZS4-D	EZS3-D	3.5 Max.
EZS6-D	EZS3-D	3.5 Max.
EZS6-D	EZS4-D	6.7 Max.

- Straight type only
- The maximum length of the dual axis side (Y-Axis, Z-Axis) slide is 300 mm.
- These products have a 12 mm lead (**D**). Those with a 6 mm lead (**E**) are 50% slower.
- These are the specification values for when the X-axis is installed horizontally.
- These products are not suitable for Cleanroom Use.

- Simple Streamlined Wiring with Dedicated Cable Holder (Cable holder sold separately)

Dedicated cable holders are available.



Product Number

PAB - S4 S3 R 005

① ② ③ ④ ⑤

①	Dual Axis Mounting Bracket	
②	Single Axis Side Linear Slide	S4: EZS4-D S6: EZS6-D
③	Dual Axis Side Linear Slide	S3: EZS3-D S4: EZS4-D
④	Combination Patterns	R: R Type L: L Type
⑤	Dual Axis Side Stroke	

- Single axis side refers to the X-axis, while dual axis side refers to the Y- or Z-axis.

Product Line

[50 mm unit]

EZS4 and EZS3 Combination		EZS6 and EZS3 Combination		EZS6 and EZS4 Combination	
R Type	L Type	R Type	L Type	R Type	L Type
PAB-S4S3R005	PAB-S4S3L005	PAB-S6S3R005	PAB-S6S3L005	PAB-S6S4R005	PAB-S6S4L005
PAB-S4S3R010	PAB-S4S3L010	PAB-S6S3R010	PAB-S6S3L010	PAB-S6S4R010	PAB-S6S4L010
PAB-S4S3R015	PAB-S4S3L015	PAB-S6S3R015	PAB-S6S3L015	PAB-S6S4R015	PAB-S6S4L015
PAB-S4S3R020	PAB-S4S3L020	PAB-S6S3R020	PAB-S6S3L020	PAB-S6S4R020	PAB-S6S4L020
PAB-S4S3R025	PAB-S4S3L025	PAB-S6S3R025	PAB-S6S3L025	PAB-S6S4R025	PAB-S6S4L025
PAB-S4S3R030	PAB-S4S3L030	PAB-S6S3R030	PAB-S6S3L030	PAB-S6S4R030	PAB-S6S4L030

Selection Example for Dual Axis Installation Bracket

Determine which dual axis installation bracket meets the following conditions.

Condition

X-Y Installation: 100 mm for 3 kg, 0.5 s in Transport
 Range: X-Axis 500 mm, Y-Axis 250 mm
 Center of Gravity of Y-Axis Load: (G1, G2, G3) = (30, 20, 25)
 Power Supply Voltage: 24 VDC

(1) Select the Linear Slide Combinations and Dual Axis Installation Bracket

Determine the required combination of electric linear slides from "Transportable Mass of Acceleration".

Calculate maximum absolute value using G1, G2, and G3. Under these conditions, since $|G1| = 30$ is the maximum value, refer to the table of the center of gravity condition $|Gn| \leq 30$ [mm].

The linear slide combinations that have a transportable mass of 3 kg with a stroke of 250 mm are as follows:

- Combination 1 : X-Axis: **EZS6-D** Y-Axis: **EZS3-D**
 or
 Combination 2 : X-Axis: **EZS6-D** Y-Axis: **EZS4-D**

Select "Combination 1" for the smaller product size.

Products are as follows.

X-axis: **EZS6-D050-AZACD**
 Y-axis: **EZS3-D025-AZACD**

Tentatively select **EZS6-D** for the single axis, and **EZS3-D** for the dual axis. The dual axis stroke is 250 mm and combination pattern is (refer to page E-270) is **R** type. So, the required dual axis installation bracket is **PAB-S6S3R025**.

(2) Check the Acceleration of the Linear Slide

Check the acceleration from "Transportable Mass of Acceleration".

The maximum acceleration for loads that have a transportable mass of 3 kg is 5 m/s^2 .

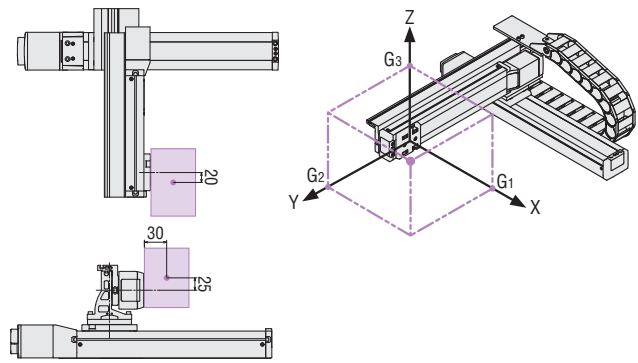
For details about a selection example that exceeds these conditions, please contact your nearest Oriental Motor sales office.

Transportable Mass of Acceleration

◇ X-Y Installation Y-Axis Transportable Mass [kg]

		Gn ≤ 30 [mm]					
		Stroke [mm]					
X-Axis: EZS4-D Y-Axis: EZS3-D	Acceleration	50	100	150	200	250	300
	1.0 m/s ²	2.3	1.9	1.5	1.1	0.7	0.4
2.5 m/s ²	1.3	0.9	0.6	0.2	—	—	
5.0 m/s ²	0.3	—	—	—	—	—	
		Stroke [mm]					
X-Axis: EZS6-D Y-Axis: EZS3-D	Acceleration	50	100	150	200	250	300
	1.0 m/s ²	5.8	5.8	5.8	5.8	5.8	5.8
	2.5 m/s ²	4.8	4.8	4.8	4.8	4.8	4.8
	5.0 m/s ²	3.6	3.6	3.6	3.6	3.6	3.6
		Stroke [mm]					
X-Axis: EZS6-D Y-Axis: EZS4-D	Acceleration	50	100	150	200	250	300
	1.0 m/s ²	12.7	12.4	10.4	8.9	7.6	6.5
	2.5 m/s ²	10.1	9.8	8.2	6.9	5.8	4.9
	5.0 m/s ²	7.5	7.1	5.8	4.7	3.9	3.1

● Gn is the distance from the central axis of the table to the central axis of the load [mm].



◇ X-Z Installation Z-Axis Transportable Mass [kg]

		Gn ≤ 30 [mm]					
		Stroke [mm]					
X-Axis: EZS4-D Z-Axis: EZS3-D	Acceleration	50	100	150	200	250	300
	1.0 m/s ²	3.5	3.3	3.0	2.7	2.5	2.2
2.5 m/s ²	2.1	1.7	1.4	1.0	0.7	0.4	
5.0 m/s ²	0.7	0.3	—	—	—	—	
		Stroke [mm]					
X-Axis: EZS6-D Z-Axis: EZS3-D	Acceleration	50	100	150	200	250	300
	1.0 m/s ²	3.5	3.5	3.5	3.5	3.5	3.5
	2.5 m/s ²	3.1	3.1	3.1	3.1	3.1	3.1
	5.0 m/s ²	2.2	2.2	2.2	2.2	2.2	2.2
		Stroke [mm]					
X-Axis: EZS6-D Z-Axis: EZS4-D	Acceleration	50	100	150	200	250	300
	1.0 m/s ²	6.7	6.7	6.7	6.7	6.7	6.7
	2.5 m/s ²	5.9	5.9	5.9	5.9	5.9	5.9
	5.0 m/s ²	4.9	4.9	4.9	4.9	4.9	4.9

● Gn is distance from central axis of table to central axis of load [mm].

Combination Patterns

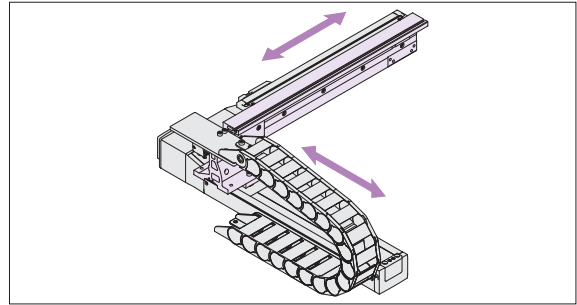
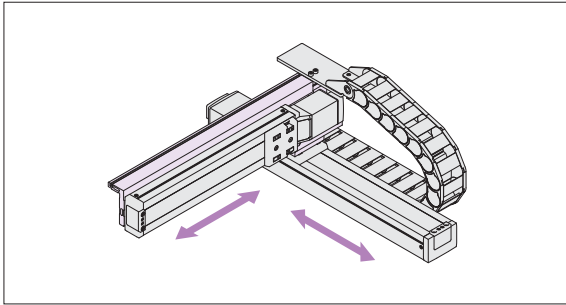
● R Type

PAB-S4S3R □

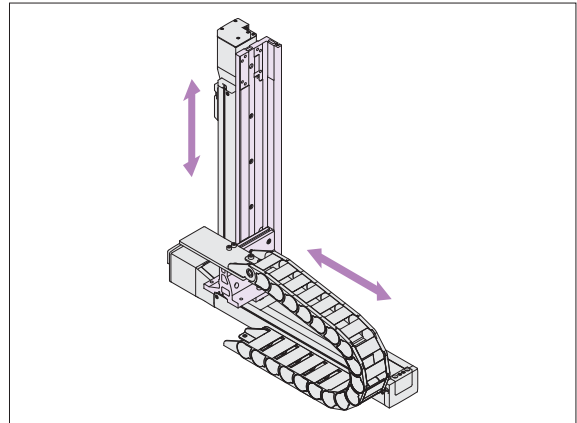
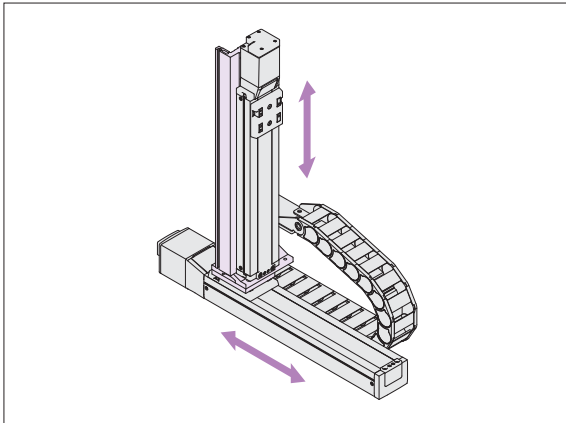
PAB-S6S3R □

PAB-S6S4R □

◇ X-Y



◇ X-Z



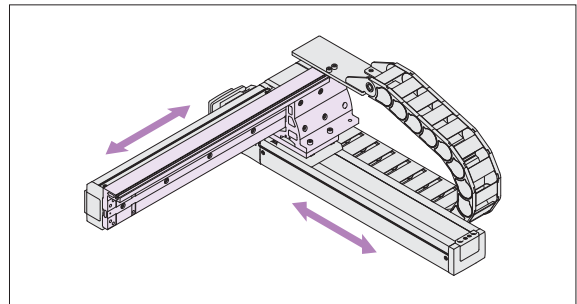
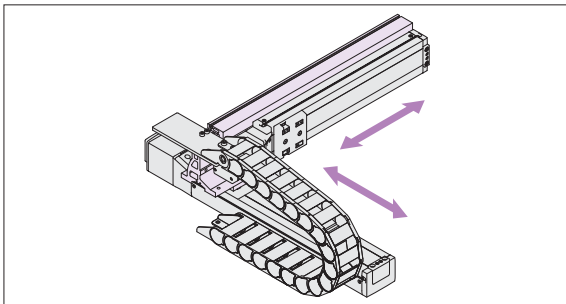
● L Type

PAB-S4S3L □

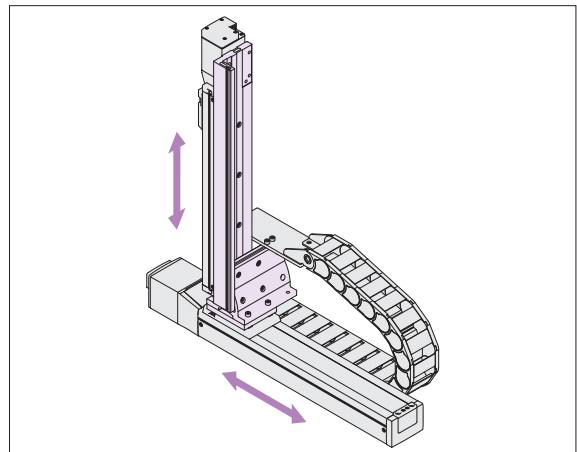
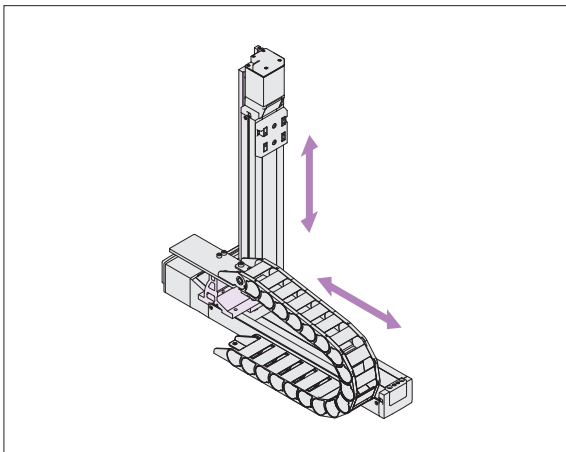
PAB-S6S3L □

PAB-S6S4L □

◇ X-Y



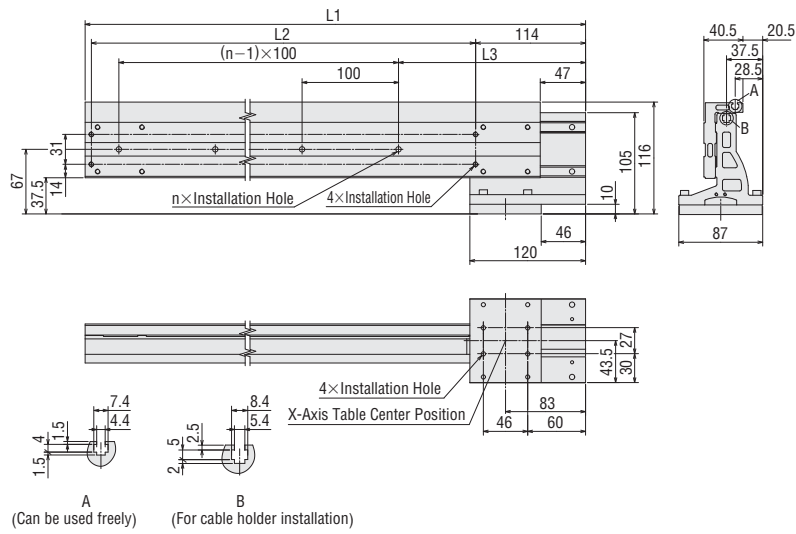
◇ X-Z



Dimensions (Unit: mm)

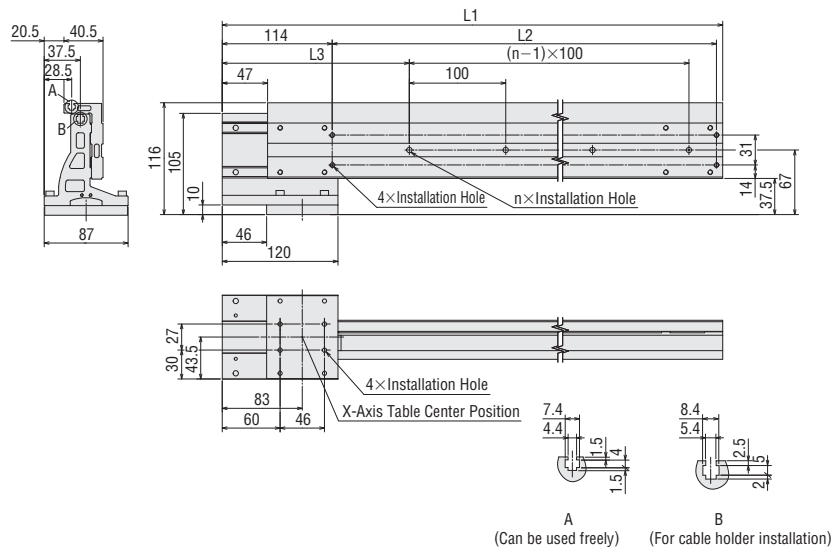
● X-Y (EZS4 and EZS3 Combination)

◇ R Type



Product Name	Stroke	L1	L2	L3	n	Mass [kg]
PAB-S4S3R005	50	279	158.5	144	2	1.58
PAB-S4S3R010	100	329	208.5	194	2	1.72
PAB-S4S3R015	150	379	258.5	144	3	1.86
PAB-S4S3R020	200	429	308.5	194	3	2.00
PAB-S4S3R025	250	479	358.5	144	4	2.14
PAB-S4S3R030	300	529	408.5	194	4	2.27

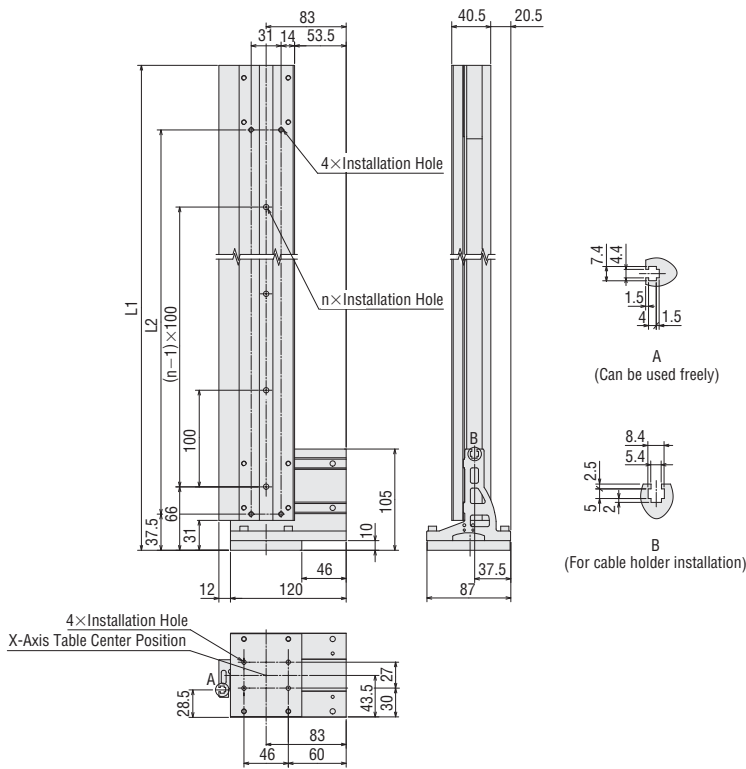
◇ L Type



Product Name	Stroke	L1	L2	L3	n	Mass [kg]
PAB-S4S3L005	50	279	158.5	144	2	1.58
PAB-S4S3L010	100	329	208.5	194	2	1.72
PAB-S4S3L015	150	379	258.5	144	3	1.86
PAB-S4S3L020	200	429	308.5	194	3	2.00
PAB-S4S3L025	250	479	358.5	144	4	2.14
PAB-S4S3L030	300	529	408.5	194	4	2.27

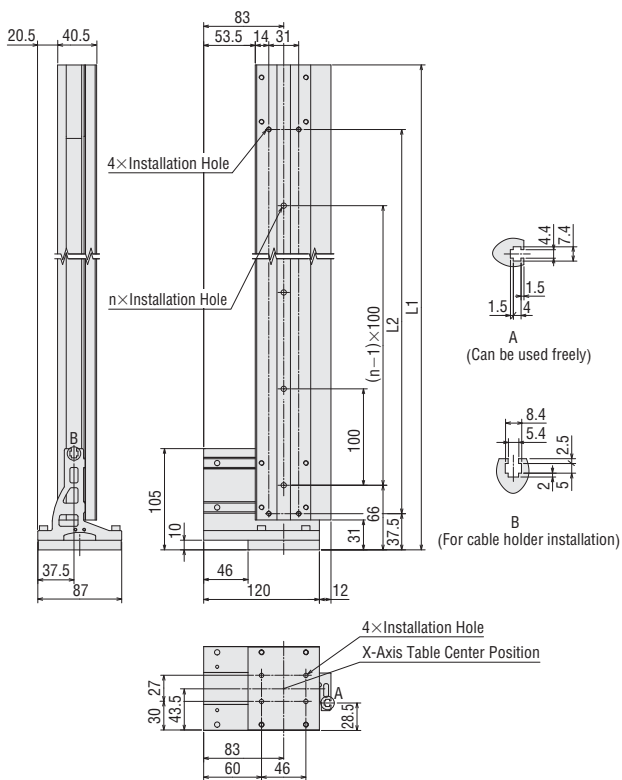
● X-Z (EZS4 and EZS3 Combination)

◇ R Type



Product Name	Stroke	L1	L2	n	Mass [kg]
PAB-S4S3R005	50	263	158.5	2	1.58
PAB-S4S3R010	100	313	208.5	2	1.72
PAB-S4S3R015	150	363	258.5	3	1.86
PAB-S4S3R020	200	413	308.5	3	2.00
PAB-S4S3R025	250	463	358.5	4	2.14
PAB-S4S3R030	300	513	408.5	4	2.27

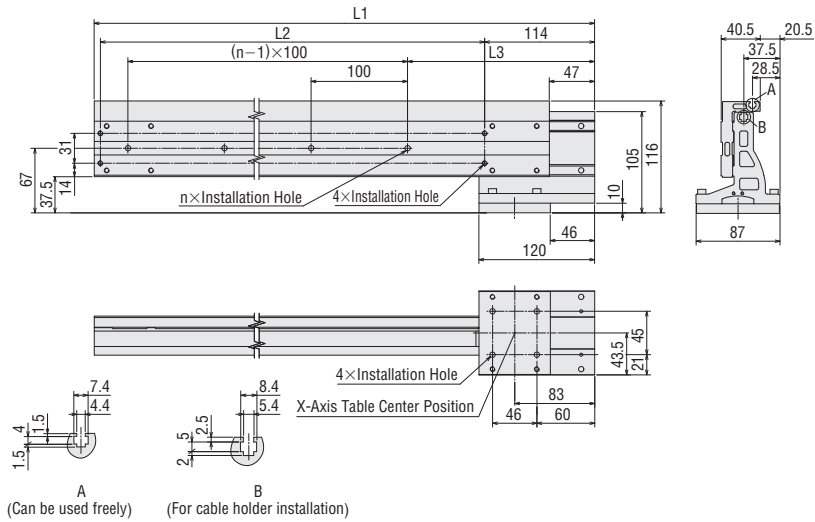
◇ L Type



Product Name	Stroke	L1	L2	n	Mass [kg]
PAB-S4S3L005	50	263	158.5	2	1.58
PAB-S4S3L010	100	313	208.5	2	1.72
PAB-S4S3L015	150	363	258.5	3	1.86
PAB-S4S3L020	200	413	308.5	3	2.00
PAB-S4S3L025	250	463	358.5	4	2.14
PAB-S4S3L030	300	513	408.5	4	2.27

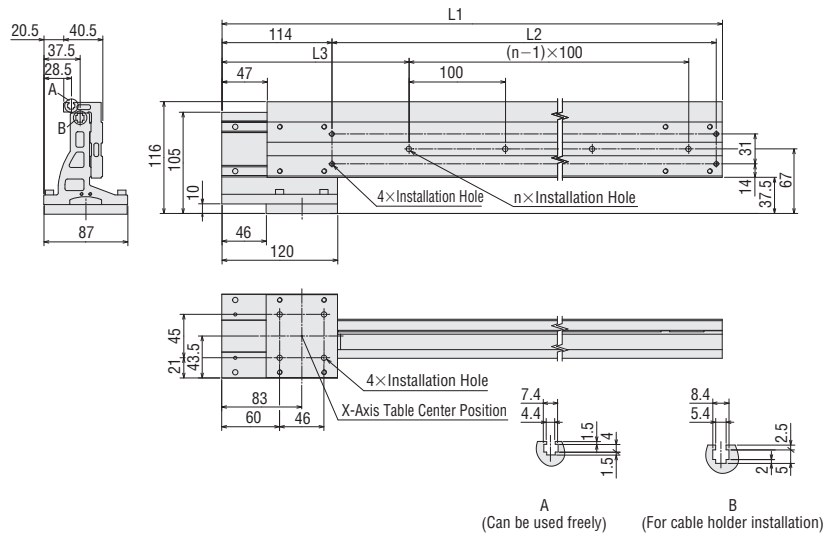
● X-Y (EZS6 and EZS3 Combination)

◇ R Type



Product Name	Stroke	L1	L2	L3	n	Mass [kg]
PAB-S6S3R005	50	279	158.5	144	2	1.58
PAB-S6S3R010	100	329	208.5	194	2	1.72
PAB-S6S3R015	150	379	258.5	144	3	1.86
PAB-S6S3R020	200	429	308.5	194	3	2.00
PAB-S6S3R025	250	479	358.5	144	4	2.14
PAB-S6S3R030	300	529	408.5	194	4	2.27

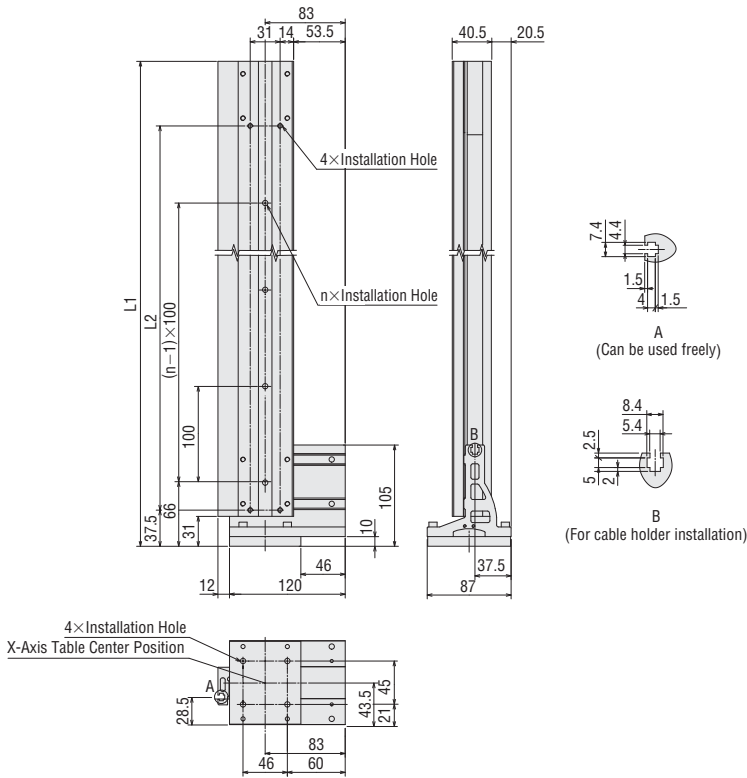
◇ L Type



Product Name	Stroke	L1	L2	L3	n	Mass [kg]
PAB-S6S3L005	50	279	158.5	144	2	1.58
PAB-S6S3L010	100	329	208.5	194	2	1.72
PAB-S6S3L015	150	379	258.5	144	3	1.86
PAB-S6S3L020	200	429	308.5	194	3	2.00
PAB-S6S3L025	250	479	358.5	144	4	2.14
PAB-S6S3L030	300	529	408.5	194	4	2.27

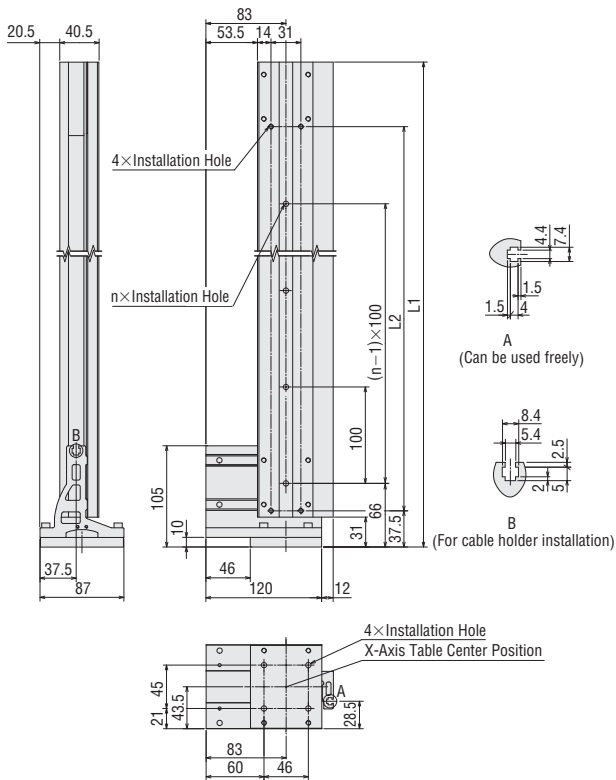
● X-Z (EZS6 and EZS3 Combination)

◇ R Type



Product Name	Stroke	L1	L2	n	Mass [kg]
PAB-S6S3R005	50	263	158.5	2	1.58
PAB-S6S3R010	100	313	208.5	2	1.72
PAB-S6S3R015	150	363	258.5	3	1.86
PAB-S6S3R020	200	413	308.5	3	2.00
PAB-S6S3R025	250	463	358.5	4	2.14
PAB-S6S3R030	300	513	408.5	4	2.27

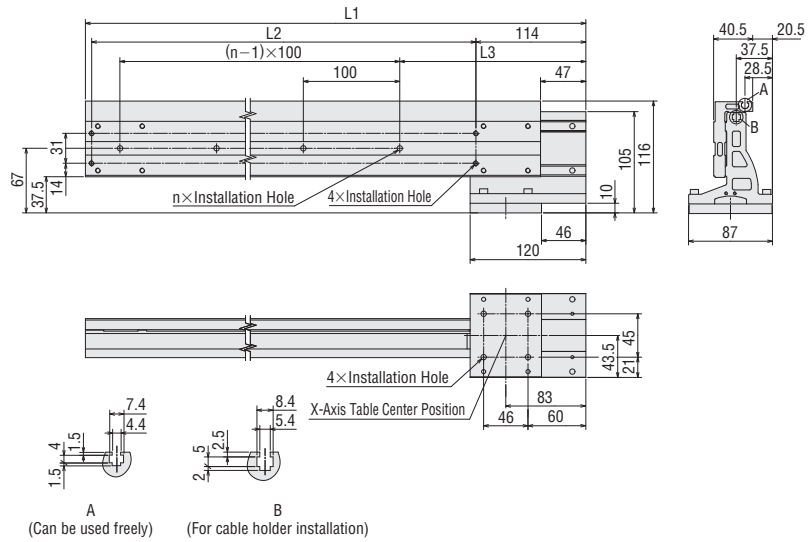
◇ L Type



Product Name	Stroke	L1	L2	n	Mass [kg]
PAB-S6S3L005	50	263	158.5	2	1.58
PAB-S6S3L010	100	313	208.5	2	1.72
PAB-S6S3L015	150	363	258.5	3	1.86
PAB-S6S3L020	200	413	308.5	3	2.00
PAB-S6S3L025	250	463	358.5	4	2.14
PAB-S6S3L030	300	513	408.5	4	2.27

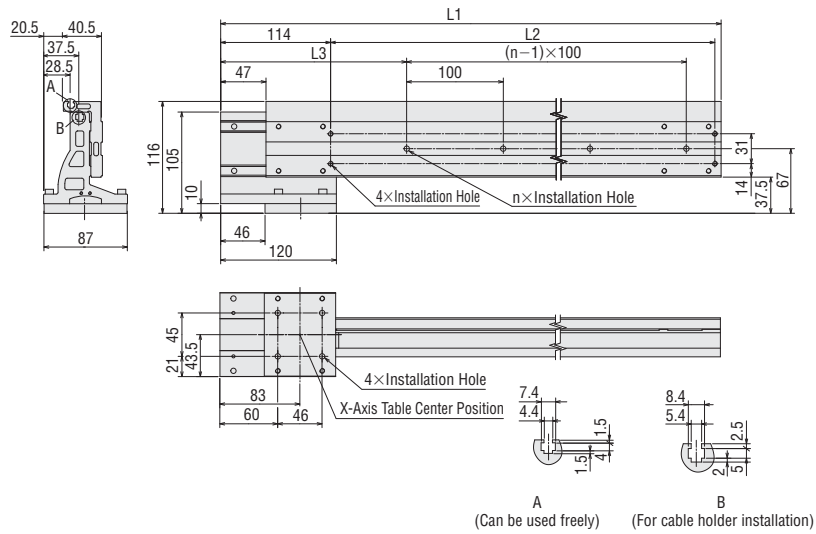
● X-Y (EZS6 and EZS4 Combination)

◇ R Type



Product Name	Stroke	L1	L2	L3	n	Mass [kg]
PAB-S6S4R005	50	279	158.5	143	2	1.58
PAB-S6S4R010	100	329	208.5	193	2	1.72
PAB-S6S4R015	150	379	258.5	143	3	1.86
PAB-S6S4R020	200	429	308.5	193	3	2.00
PAB-S6S4R025	250	479	358.5	143	4	2.14
PAB-S6S4R030	300	529	408.5	193	4	2.27

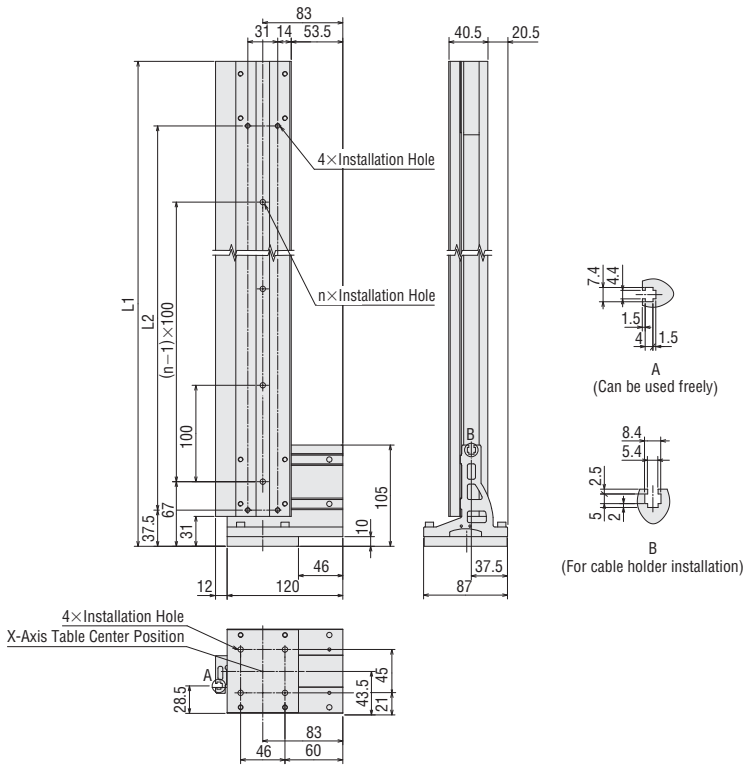
◇ L Type



Product Name	Stroke	L1	L2	L3	n	Mass [kg]
PAB-S6S4L005	50	279	158.5	143	2	1.58
PAB-S6S4L010	100	329	208.5	193	2	1.72
PAB-S6S4L015	150	379	258.5	143	3	1.86
PAB-S6S4L020	200	429	308.5	193	3	2.00
PAB-S6S4L025	250	479	358.5	143	4	2.14
PAB-S6S4L030	300	529	408.5	193	4	2.27

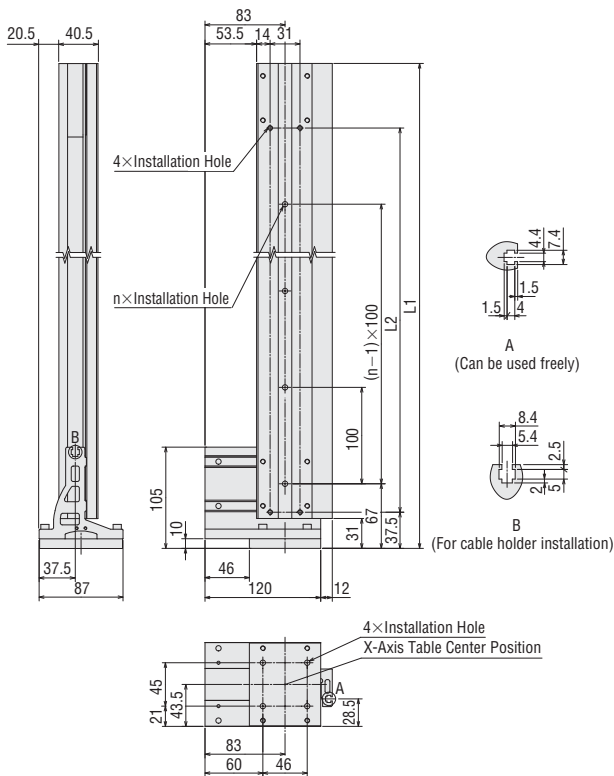
● X-Z (EZS6 and EZS4 Combination)

◇ R Type



Product Name	Stroke	L1	L2	n	Mass [kg]
PAB-S6S4R005	50	263	158.5	2	1.58
PAB-S6S4R010	100	313	208.5	2	1.72
PAB-S6S4R015	150	363	258.5	3	1.86
PAB-S6S4R020	200	413	308.5	3	2.00
PAB-S6S4R025	250	463	358.5	4	2.14
PAB-S6S4R030	300	513	408.5	4	2.27

◇ L Type

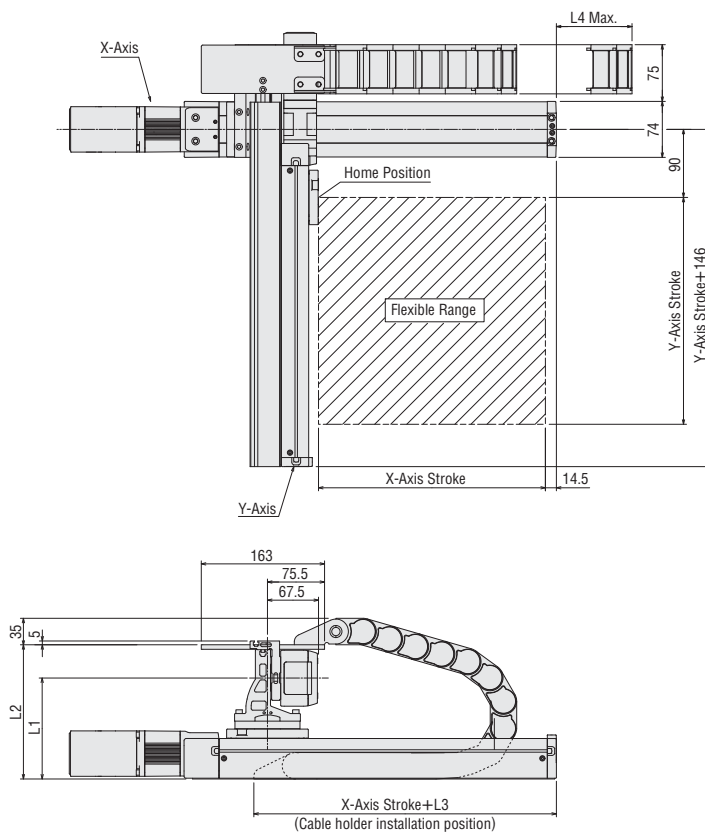


Product Name	Stroke	L1	L2	n	Mass [kg]
PAB-S6S4L005	50	263	158.5	2	1.58
PAB-S6S4L010	100	313	208.5	2	1.72
PAB-S6S4L015	150	363	258.5	3	1.86
PAB-S6S4L020	200	413	308.5	3	2.00
PAB-S6S4L025	250	463	358.5	4	2.14
PAB-S6S4L030	300	513	408.5	4	2.27

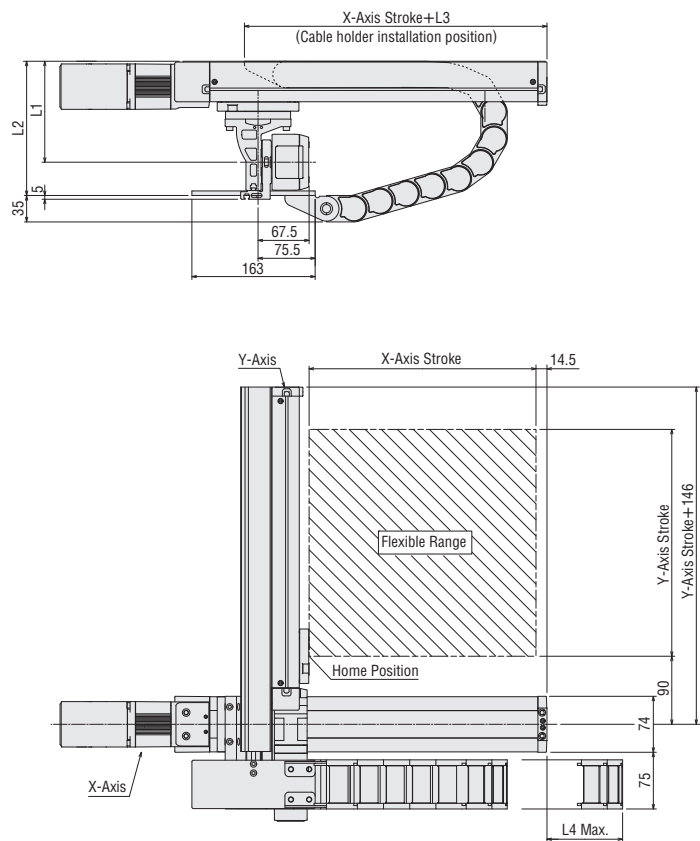
Operating Range (Unit = mm)

● X-Y Installation Pattern 1

◇ R Type



◇ L Type

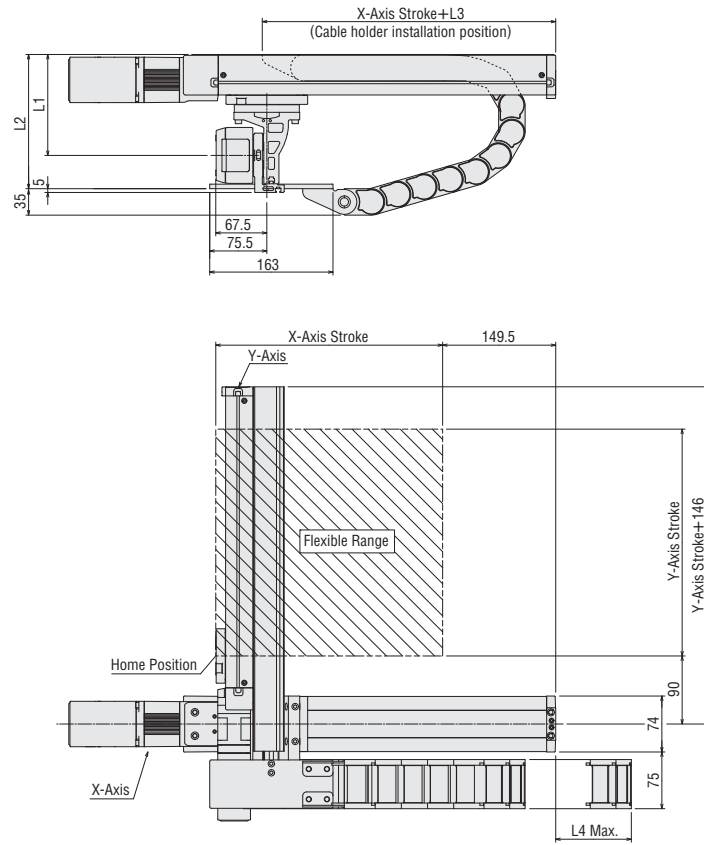


Dual Axis Installation Bracket Product Name	X-Axis	Y-Axis	L1	L2	L3	L4
PAB-S4S3R(L) <input type="checkbox"/> <input type="checkbox"/> <input type="checkbox"/>	EZS4	EZS3	117	161	102	170
PAB-S6S3R(L) <input type="checkbox"/> <input type="checkbox"/> <input type="checkbox"/>	EZS6	EZS3	133.5	177.5	128	150
PAB-S6S4R(L) <input type="checkbox"/> <input type="checkbox"/> <input type="checkbox"/>	EZS6	EZS4	133.5	177.5	128	150

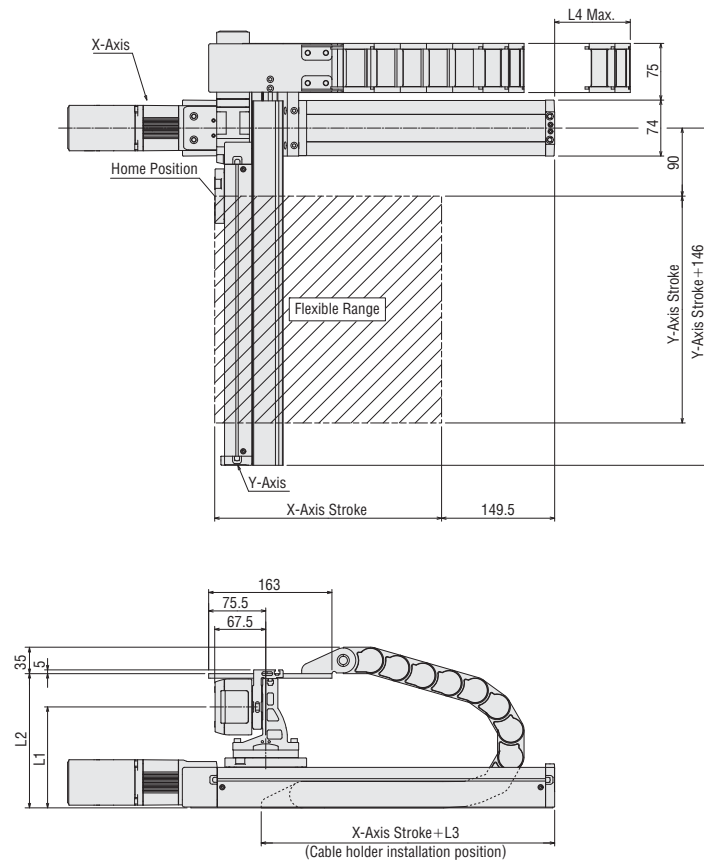
● A number indicating the stroke of the Y-axis is entered in the box located within the product name.

● X-Y Installation Pattern 2

◇ R Type



◇ L Type

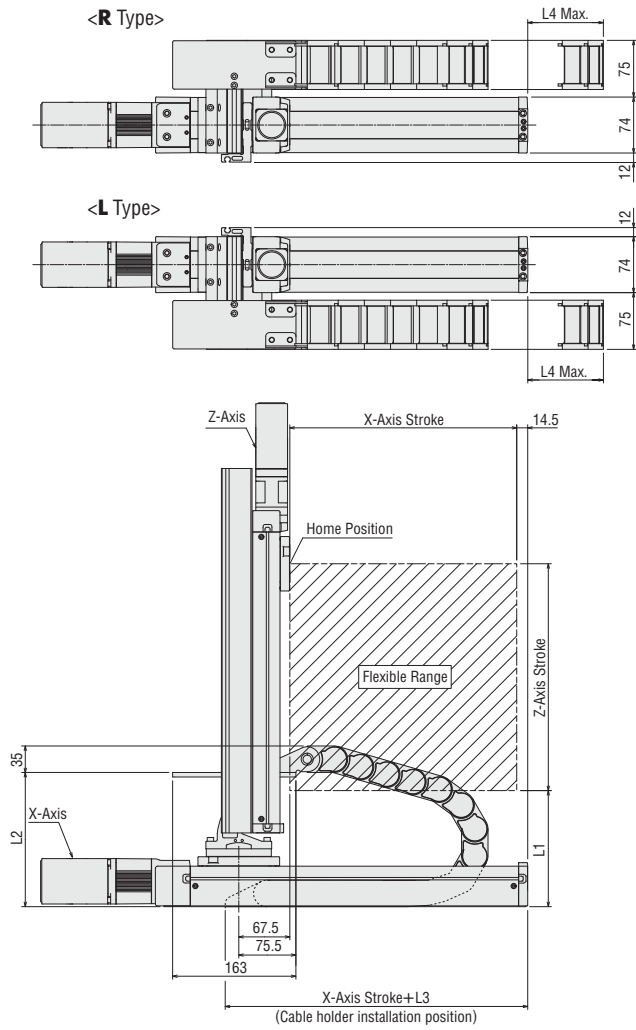


Dual Axis Installation Bracket Product Name	X-Axis	Y-Axis	L1	L2	L3	L4
PAB-S4S3R(L) □□□□	EZS4	EZS3	117	161	90	170
PAB-S6S3R(L) □□□□	EZS6	EZS3	133.5	177.5	116	150
PAB-S6S4R(L) □□□□	EZS6	EZS4	133.5	177.5	116	150

● A number indicating the stroke of the Y-axis is entered in the box □ located within the product name.

● X-Z Installation

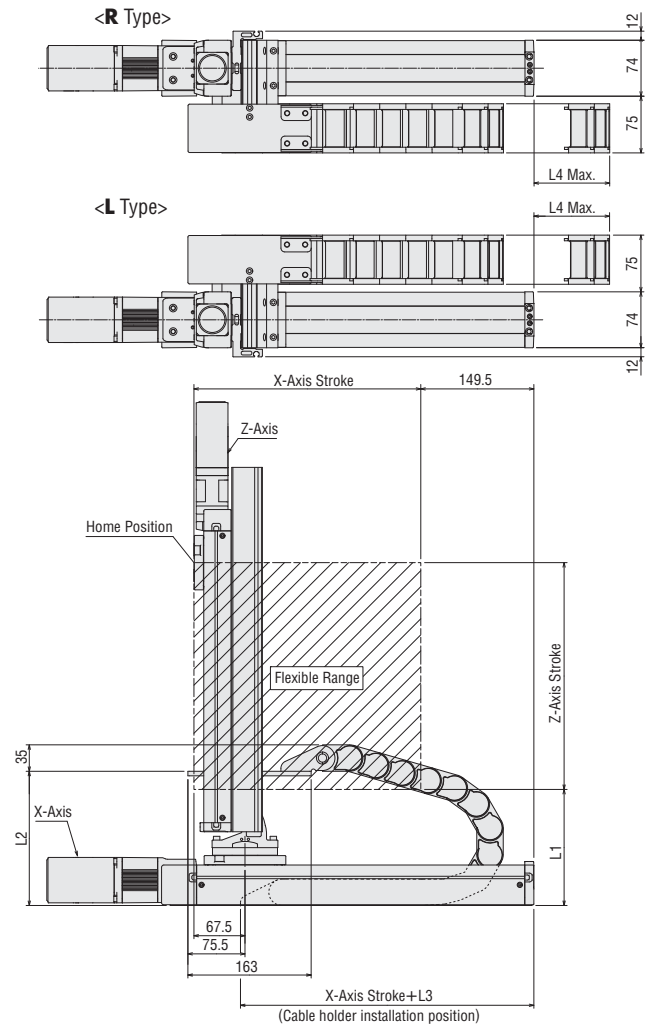
◇ Pattern 1



Dual Axis Installation Bracket Product Name	X-Axis	Z-Axis	L1	L2	L3	L4
PAB-S4S3R(L) □□□	EZS4	EZS3	137	161	102	170
PAB-S6S3R(L) □□□	EZS6	EZS3	153.5	177.5	128	150
PAB-S6S4R(L) □□□	EZS6	EZS4	153.5	177.5	128	150

● A number indicating the stroke of the Z-axis is entered where the box □ is located within the product name.

◇ Pattern 2



Dual Axis Installation Bracket Product Name	X-Axis	Z-Axis	L1	L2	L3	L4
PAB-S4S3R(L) □□□	EZS4	EZS3	137	161	90	170
PAB-S6S3R(L) □□□	EZS6	EZS3	153.5	177.5	116	150
PAB-S6S4R(L) □□□	EZS6	EZS4	153.5	177.5	116	150

● A number indicating the stroke of the Z-axis is entered where the box □ is located within the product name.

Cable holder

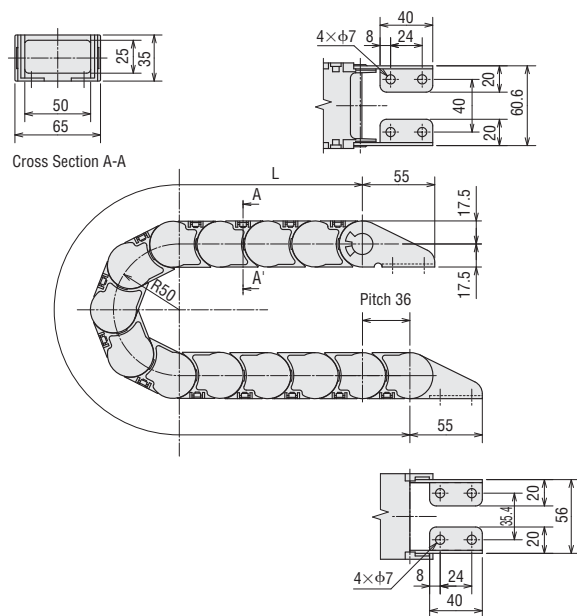
This is the most suitable product for protecting or guiding the cables being used in dual and triple axis combinations. This product can be combined with the dual axis mounting bracket.

Product Line

Applicable Product		Applicable Cable Holder	
Applicable Product	Stroke [mm]	Product Name	
EZS Series	50~70	PACH65-11	
	80~120	PACH65-13	
	130~170	PACH65-14	
	180~220	PACH65-15	
	230~270	PACH65-17	
	280~320	PACH65-18	
	330~370	PACH65-20	
	380~420	PACH65-21	
	430~470	PACH65-22	
	480~520	PACH65-24	
	530~570	PACH65-25	
	580~620	PACH65-27	
	630~670	PACH65-28	
	680~720	PACH65-29	
	730~770	PACH65-31	
780~820	PACH65-32		
830~850	PACH65-34		



Dimensions (Unit: mm)



Product Name	L (mm)
PACH65-11	396
PACH65-13	468
PACH65-14	504
PACH65-15	540
PACH65-17	612
PACH65-18	648
PACH65-20	720
PACH65-21	756
PACH65-22	792
PACH65-24	864
PACH65-25	900
PACH65-27	972
PACH65-28	1008
PACH65-29	1044
PACH65-31	1116
PACH65-32	1152
PACH65-34	1224

(L indicates the overall length in the dimensions.)