

Standard AC Motors

# Right-Angle Gearheads

Overview, Product Series

Constant Speed Motors

Three-Phase Induction Motors

Single-Phase Induction Motors

Reversible Motors

Electromagnetic Brake Motors

Clutch & Brake Motors

Low-Speed Synchronous Motors

Torque Motors

Watertight, Dust-Resistant Motors

## Right-Angle Gearheads

Right-Angle Gearheads

Linear Heads

Brake Pack

Accessories

Installation

# Right-Angle Gearheads

For details on this product please refer to our website.  
[www.orientalmotor.com/catalog](http://www.orientalmotor.com/catalog)

● For detailed information about regulations and standards, please see the Oriental Motor website.



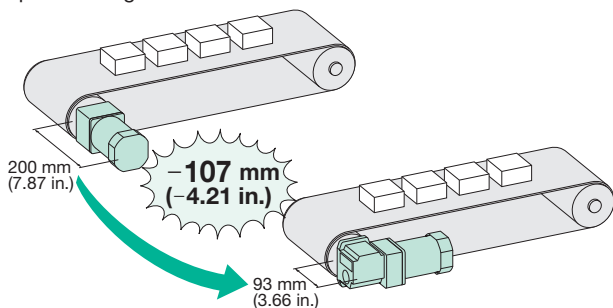
View Expanded Product Information, Specifications, CAD, Accessories & more online. Visit [www.orientalmotor.com/catalog](http://www.orientalmotor.com/catalog) or use the QR code and select "Right-Angle Gearheads".

- Both hollow shaft **RH** and solid shaft **RAA** types are available.
- The motor can be installed perpendicular to the belt conveyor's axis, enabling space-saving.

## Features

### ● Ideal for Space-Saving Solution

The output shaft is perpendicular to the motor shaft, so the motor can be installed perpendicularly to the axis being driven, enabling space-saving.



**5IK90GE-SW2** motor and gearhead with a gear ratio of 18:1

### ● Mounting Using Torque Arm (Sold separately)

Hollow shaft gearheads (**5GE□RH**) are locked with a torque arm (sold separately) when mounted so the gearhead does not rotate from the reactive force of the load. When the torque arm is used, centering becomes unnecessary, so equipment mounting time can be reduced.

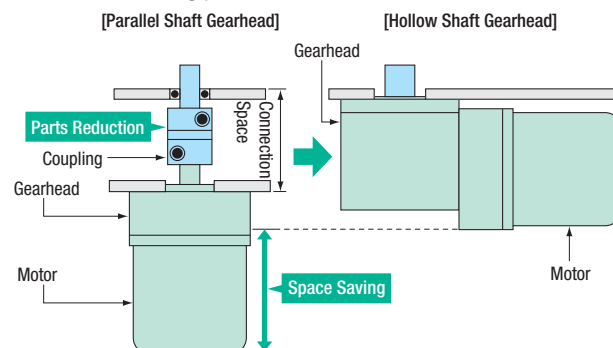
### ● Wide Variation

A wide variety of gear ratios (20 types, from **3** to **180**) are available. The proper gear ratio can be selected just as with ordinary gearheads. The maximum permissible torques are also the same as for ordinary gearheads.

- Solid shaft of **GE** pinion gearheads come with a tapped hole at the tip of the shaft.

### ● Low Cost

With hollow shaft gearheads, the parts cost and labor will decrease since no connecting parts are needed.



## Product Line of Right-Angle Gearheads

Models that feature a right-angle gearhead utilizing a hypoid gear combined with a motor are available.

### ● KIS Series Right-Angle Geared Type

This is a high-strength right-angle shaft geared motor that utilizes a hypoid gear. At 70 N·m (610 lb-in), the maximum permissible torque of a 100 W (1/8 HP) motor is 3.5 times greater than conventional products. Its concentric shaft structure makes compact installation possible.

- **KIS** Series → Page C-21



Hollow Shaft Type



Solid Shaft Type

## Applicable Products

The right-angle gearheads can be used with pinion shaft type motors listed below.

Applicable Products	Series	Output Power	Page
Induction Motors	World <b>K</b> Series	25 W (1/30 HP), 40 W (1/19 HP), 60 W (1/12 HP), 90 W (1/8 HP)	C-21
Reversible Motors	World <b>K</b> Series	25 W (1/30 HP), 40 W (1/19 HP), 60 W (1/12 HP), 90 W (1/8 HP)	C-147
Electromagnetic Brake Motors	World <b>K</b> Series	25 W (1/30 HP), 40 W (1/19 HP), 60 W (1/12 HP), 90 W (1/8 HP)	C-155

**Note**

● The right-angle gearheads cannot be used with torque motors.

## Product Number

# 5 GE 25 RH

①    ②    ③    ④

①	Gearhead Frame Size	<b>4</b> : 80 mm (3.15 in.) <b>5</b> : 90 mm (3.54 in.)
②	Type of Pinion	<b>GN</b> : GN Type Pinion <b>GE</b> : GE Type Pinion
③	Gear Ratio	(Example) <b>25</b> : Gear Ratio of 25:1
④		<b>RH</b> : Right-Angle, Hollow Shaft Gearhead <b>RAA</b> : Right-Angle, Solid Shaft Gearhead

## Product Line

### ● Hollow Shaft Type

Product Name	Gear Ratio	List Price
<b>4GN</b> □RH	<b>3, 3.6, 5, 6, 7.5, 9, 12.5, 15, 18</b>	\$96.00
	<b>25, 30, 36</b>	\$103.00
	<b>50, 60, 75, 90, 100, 120, 150, 180</b>	\$113.00
<b>5GN</b> □RH	<b>3, 3.6, 5, 6, 7.5, 9, 12.5, 15, 18</b>	\$123.00
	<b>25, 30, 36</b>	\$137.00
	<b>50, 60, 75, 90, 100, 120, 150, 180</b>	\$147.00
<b>5GE</b> □RH	<b>3, 3.6, 5, 6, 7.5, 9, 12.5, 15, 18, 25</b>	\$189.00
	<b>30, 36, 50, 60</b>	\$209.00
	<b>75, 90, 100, 120, 150, 180</b>	\$225.00

The following items are included with each product.  
Gearhead, Installation Screws, Parallel Key, Safety Cover (with screws), Gasket, Operating Manual

### ● Solid Shaft Type

Product Name	Gear Ratio	List Price
<b>4GN</b> □RAA	<b>3, 3.6, 5, 6, 7.5, 9, 12.5, 15, 18</b>	\$81.00
	<b>25, 30, 36</b>	\$89.00
	<b>50, 60, 75, 90, 100, 120, 150, 180</b>	\$98.00
<b>5GN</b> □RAA	<b>3, 3.6, 5, 6, 7.5, 9, 12.5, 15, 18</b>	\$108.00
	<b>25, 30, 36</b>	\$116.00
	<b>50, 60, 75, 90, 100, 120, 150, 180</b>	\$131.00
<b>5GE</b> □RAA	<b>3, 3.6, 5, 6, 7.5, 9</b>	\$165.00
	<b>12.5, 15, 18</b>	\$167.00
	<b>25</b>	\$172.00
	<b>30, 36, 50, 60</b>	\$179.00
	<b>75, 90, 100, 120, 150, 180</b>	\$194.00

The following items are included with each product.  
Gearhead, Installation Screws, Parallel Key\*, Gasket, Operating Manual  
\* Only for **5GE**□RAA

● A number indicating the gear ratio is entered where the box □ is located within the product name.



For details (specifications, characteristics, dimensions and others) on these products please refer to either to our website, contact technical support or your nearest Oriental Motor sales office.

[www.orientalmotor.com/catalog](http://www.orientalmotor.com/catalog)

