

AC Input/Compact Size MU Series



● For detailed information about regulations and standards, please see the Oriental Motor website.



These compact AC axial flow fans are available in frame sizes ranging from □80 mm (□3.15 in.) to □119 mm (□4.69 in.) and conform to major safety standards.

Depending on the frame size, different speed types are available, from Low Speed, Middle Speed to Standard Speed.



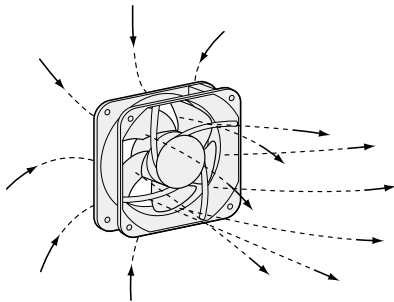
See Full Product Details Online
www.orientalmotor.com

- Manual
- Specifications
- Dimensions
- CAD
- Characteristics
- Connection and Operation

Features

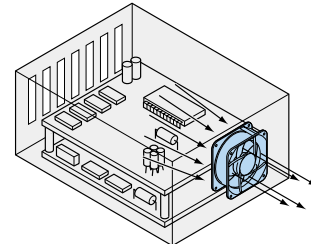
Axial Flow Fans

Axial flow fans use a propeller to generate airflow in the direction of the axis of rotation. Capable of generating a large air flow, axial flow fans are suited for applications requiring ventilation cooling.



Device Ventilation and Cooling

The large airflow of axial flow fans is suitable for ventilation and cooling inside electronic devices.

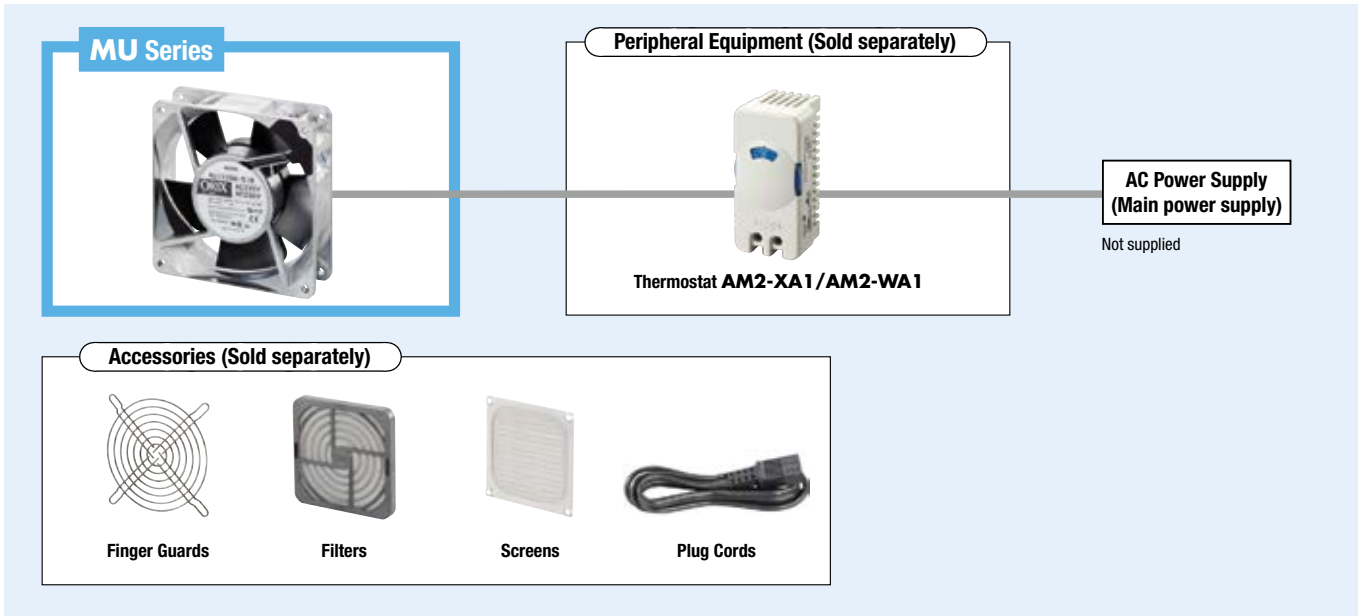


Product Line

A product line of 4 fan sizes are available, with frame sizes from □80 mm (□3.15 in.) to □119 mm (□4.69 in.).

		MU825	MU925	MU1225	MU1238
Frame Size		□80 mm – 25 mm Thick (□3.15 in. – 0.98 in. Thick)	□92 mm – 25 mm Thick (□3.62 in. – 0.98 in. Thick)	□119 mm – 25 mm Thick (□4.69 in. – 0.98 in. Thick)	□119 mm – 38 mm Thick (□4.69 in. – 1.50 in. Thick)
					
Power Supply Voltage	115 VAC	●	●	●	●
	220/230 VAC	●	●	●	●
	Standard Speed	●	●	●	●
Speed Type	Middle Speed		●	●	●
	Low Speed				●

System Configuration



Product Number

Fan Only

MU 12 38 A - 2 1 B

① ② ③ ④ ⑤ ⑥ ⑦

① Series	MU: MU Series
② Frame Size	8: 80 mm (3.15 in.) 9: 92 mm (3.62 in.) 12: 119 mm (4.69 in.)
③ Frame Thickness	25: 25 mm (0.98 in.) 38: 38 mm (1.50 in.)
④ Speed Type	A, S: Standard Speed M, B: Middle Speed L: Low Speed
⑤ Power Supply Voltage	2: Single-Phase 115 VAC 5: Single-Phase 220/230 VAC
⑥ Power Connection	1: 2-Terminal 3: Lead Wire Type
⑦ Reference Number	

Fan Kit

T - MU1238A-21 - GP

① ② ③

① Fan Kit Order Code	
② Fan Product Name	
③	G: With finger guard and installation screws GP: With finger guard, plug cord and installation screws

Product Line

Size	Speed Type	Power Supply Voltage VAC	Fan Only		Fan Kit	
			Product Name	List Price	Product Name	List Price
□80 mm – 25 mm Thick (□3.15 in. – 0.98 in. Thick)	Standard Speed	Single-Phase 115	MU825S-23	\$28.00	T-MU825S-23-G	\$33.00
		Single-Phase 220/230	MU825S-53	\$29.00	T-MU825S-53-G	\$34.00
□92 mm – 25 mm Thick (□3.62 in. – 0.98 in. Thick)	Standard Speed	Single-Phase 115	MU925S-21	\$28.00	T-MU925S-21-GP	\$39.00
		Single-Phase 220/230	MU925S-51	\$29.00	T-MU925S-51-GP	\$40.00
	Middle Speed	Single-Phase 115	MU925M-21	\$28.00	T-MU925M-21-GP	\$39.00
		Single-Phase 220/230	MU925M-51	\$29.00	T-MU925M-51-GP	\$40.00
□119 mm – 25 mm Thick (□4.69 in. – 0.98 in. Thick)	Standard Speed	Single-Phase 115	MU1225S-21	\$28.00	T-MU1225S-21-GP	\$40.00
		Single-Phase 220/230	MU1225S-51	\$29.00	T-MU1225S-51-GP	\$41.00
	Middle Speed	Single-Phase 115	MU1225M-21	\$28.00	T-MU1225M-21-GP	\$40.00
		Single-Phase 220/230	MU1225M-51	\$29.00	T-MU1225M-51-GP	\$41.00
□119 mm – 38 mm Thick (□4.69 in. – 1.50 in. Thick)	Standard Speed	Single-Phase 115	MU1238A-21B	\$28.00	T-MU1238A-21-GP	\$40.00
		Single-Phase 220/230	MU1238A-51B	\$29.00	T-MU1238A-51-GP	\$41.00
	Middle Speed	Single-Phase 115	MU1238B-21B	\$28.00	T-MU1238B-21-GP	\$40.00
		Single-Phase 220/230	MU1238B-51B	\$29.00	T-MU1238B-51-GP	\$41.00
	Low Speed	Single-Phase 115	MU1238L-21B	\$28.00	T-MU1238L-21-GP	\$40.00
		Single-Phase 220/230	MU1238L-51B	\$29.00	T-MU1238L-51-GP	\$41.00

For details (specifications, characteristics, dimensions and more) on these products, please either refer to our website or contact technical support or your nearest Oriental Motor sales office.

www.orientalmotor.com

