

MBD Series

DC Centrifugal Blowers

Impeller Diameter
4.72 in. dia. ($\phi 120$ mm)



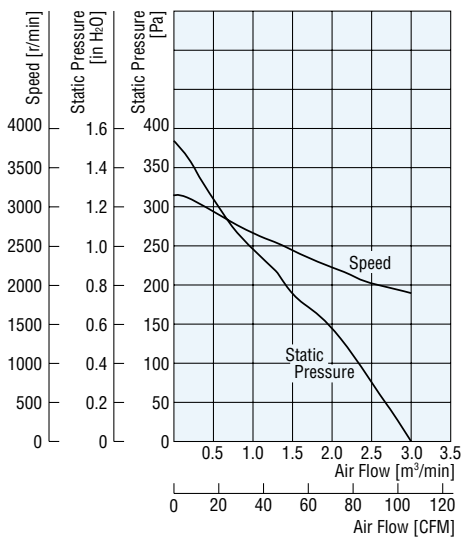
Materials
 Motor Case: Die Cast Aluminum
 Casing: Die Cast Aluminum
 Impeller: Aluminum

Specifications

Model	Rated Voltage	Rated Current	Rated Speed	Max. Air Flow		Max. Static Pressure		Noise Level
	DC V	A	r/min	CFM	m ³ /min	in HzO	Pa	dB (A)
MBD12-24	24	1.5	1900	106	3.0	1.5	372	58

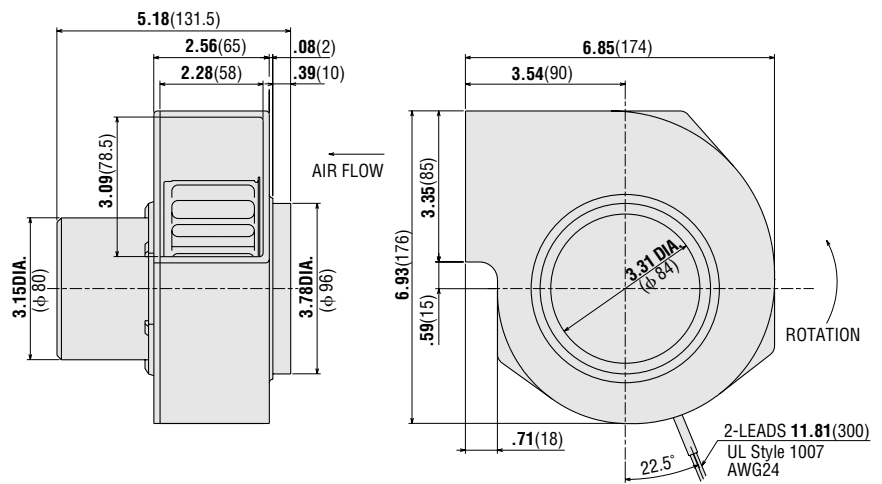
- Values for maximum air flow and maximum static pressure are measured by the double-chamber method.
- Noise level are measured in the A range, at a distance of 3.3 feet from the fan intake side
- An overheat protection is installed.

Air Flow - Static Pressure Characteristics



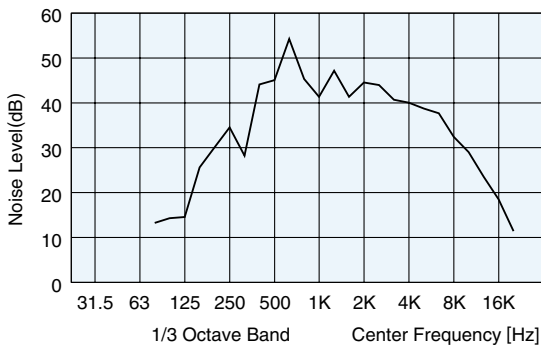
Dimensions Scale 1/4, Unit = inch (mm)

● Weight (Mass): 3.3 lb. (1.5kg)

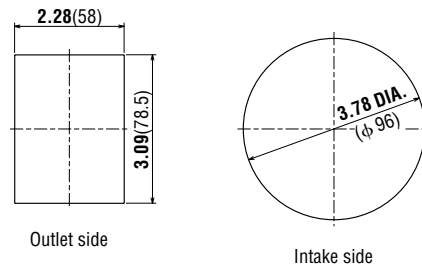


Audible Noise Frequency Analysis

Measure at a distance of 3.3 feet from the fan intake side



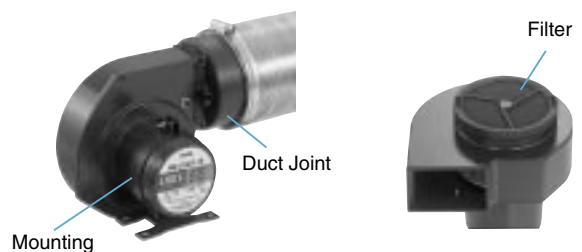
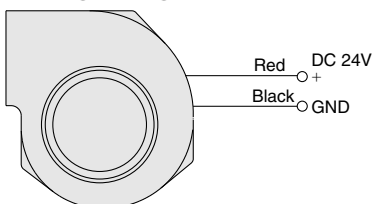
Panel Cut-Out Scale 1/4, Unit = inch (mm)



Accessories (Sold separately)

Item	Model	Page
Finger Guard	FGB12	C-100
Filter	FLB12	C-103
Mounting	PAS4B	C-108
Duct Joint	FD12	C-109

Wiring Diagram



* A finger guard can be installed in place of the filter.

MBD Series DC Centrifugal Blowers



Impeller Diameter
3.94 in. dia. (φ 100 mm)



Materials

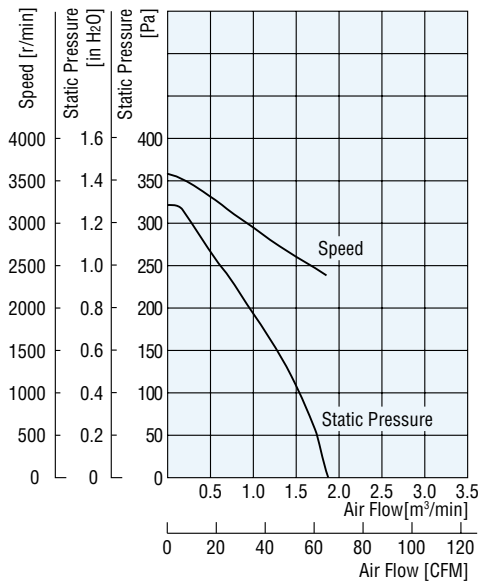
Motor Case: Die Cast Aluminum
Casing: Die Cast Aluminum
Impeller: Aluminum

Specifications

Model	Rated Voltage	Rated Current	Rated Speed	Max. Air Flow		Max. Static Pressure		Noise Level
	DC V	A	r/min	CFM	m ³ /min	in H ₂ O	Pa	dB (A)
MBD10-24	24	1.0	2400	69	1.95	1.18	294	56

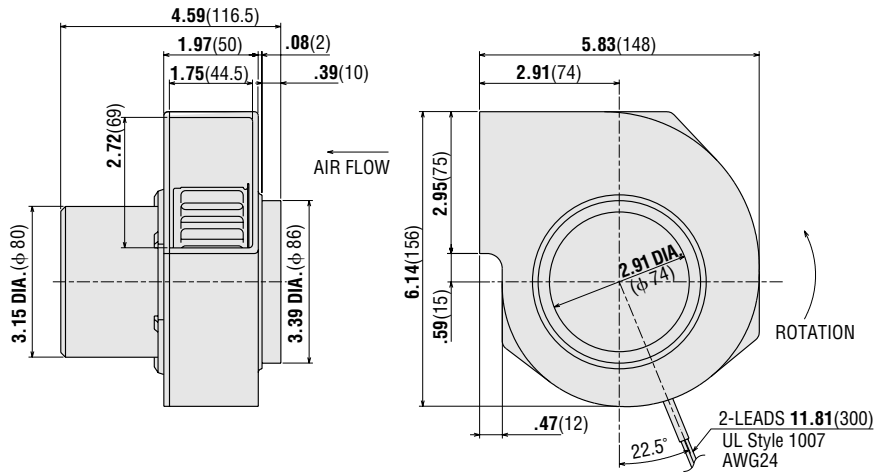
- Values for maximum air flow and maximum static pressure are measured by the double-chamber method.
- Noise level are measured in the A range, at a distance of 3.3 feet from the fan intake side
- An overheat protection is installed.

Air Flow - Static Pressure Characteristics



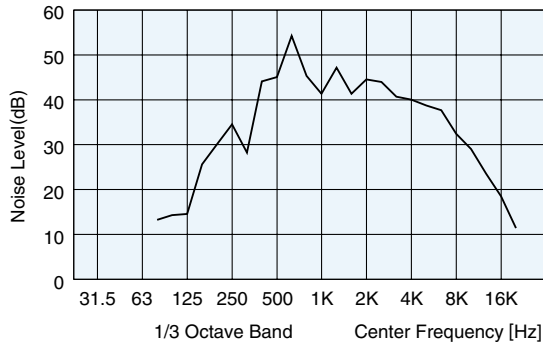
Dimensions Scale 1/4, Unit = inch (mm)

- Weight (Mass): 2.6 lb. (1.2kg)

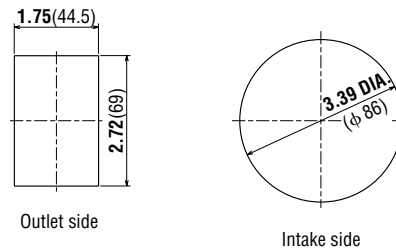


Audible Noise Frequency Analysis

Measure at a distance of 3.3 feet from the fan intake side



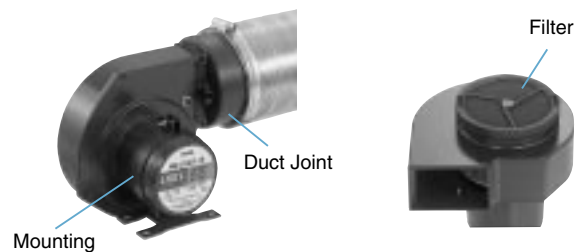
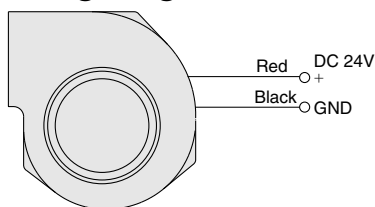
Panel Cut-Out Scale 1/4, Unit = inch (mm)



Accessories (Sold separately)

Item	Model	Page
Finger Guard	FGB10	C-100
Filter	FLB10	C-103
Mounting	PAS4B	C-108
Duct Joint	FD10	C-109

Wiring Diagram



* A finger guard can be installed in place of the filter.

MBD Series

DC Centrifugal Blowers

Impeller Diameter
3.15 in. dia. (ϕ 80 mm)



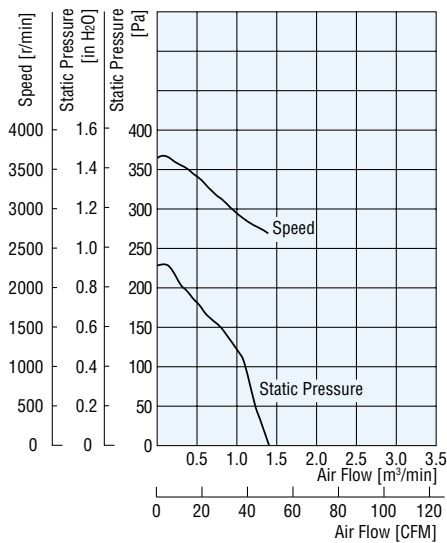
Materials
 Motor Case: Die Cast Aluminum
 Casing: Die Cast Aluminum
 Impeller: Aluminum

Specifications

Model	Rated Voltage	Rated Current	Rated Speed	Max. Air Flow		Max. Static Pressure		Noise Level
	DC V	A	r/min	CFM	m ³ /min	in H ₂ O	Pa	dB (A)
MBD8-24	24	0.7	2600	51.2	1.45	0.79	196	51

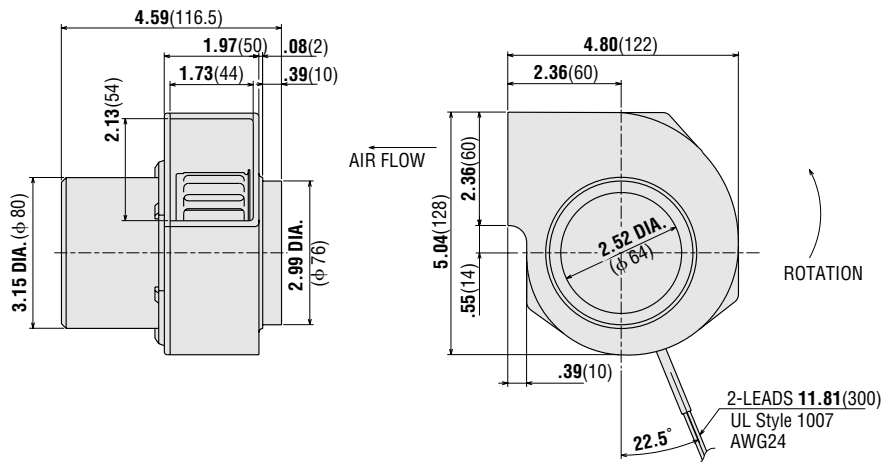
- Values for maximum air flow and maximum static pressure are measured by the double-chamber method.
- Noise level are measured in the A range, at a distance of 3.3 feet from the fan intake side
- An overheat protection is installed.

Air Flow - Static Pressure Characteristics



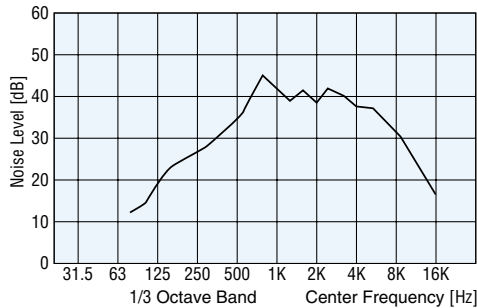
Dimensions Scale 1/4, Unit = inch (mm)

- Weight (Mass): 2.4 lb. (1.1kg)

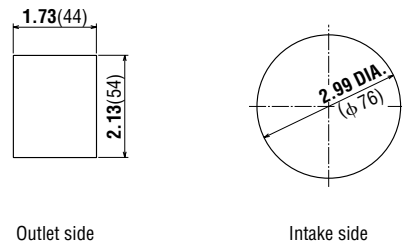


Audible Noise Frequency Analysis

Measure at a distance of 3.3 feet from the fan intake side



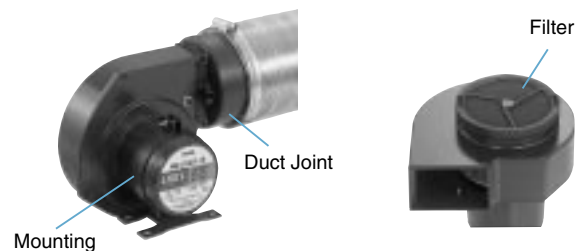
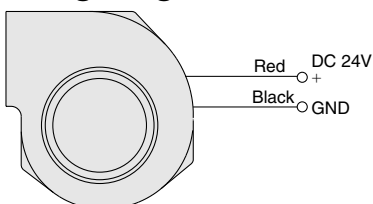
Panel Cut-Out Scale 1/4, Unit = inch (mm)



Accessories (Sold separately)

Item	Model	Page
Finger Guard	FGB8	C-100
Filter	FLB8	C-103
Mounting	PAS4B	C-108
Duct Joint	FD8	C-109

Wiring Diagram



* A finger guard can be installed in place of the filter.