

MF Series

AC Cross Flow Fans

Length of Impeller
11.81 in. (300 mm)



Materials
 Impeller: Aluminum
 Casing: Steel
 Motor case: Die Cast Aluminum

Specifications

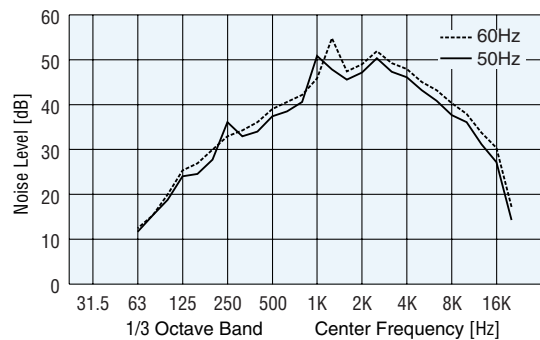
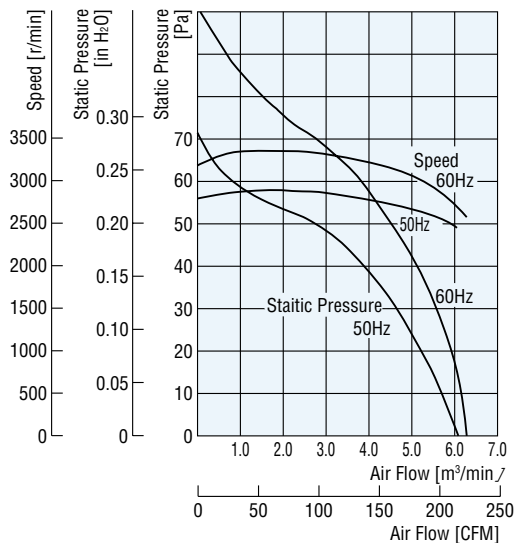
Model	Voltage V	Frequency Hz	Current A	Input Power W	Speed r/min	Max. Air Flow		Max. Static Pressure		Noise Level dB (A)
						CFM	m ³ /min	in H ₂ O	Pa	
MF930-BC MF930B-BC	Single-Phase 100	50	0.40	35	2500	212	6.0	0.295	74	58
	Single-Phase 100	60	0.50	45	2700	219	6.2	0.413	103	60
	Single-Phase 110	60	0.50	48	2950	233	6.6	0.425	106	62
	Single-Phase 115	60	0.50	50	3000	240	6.8	0.425	106	63
MF930-DC MF930B-DC	Single-Phase 200	50	0.20	35	2500	212	6.0	0.295	74	58
	Single-Phase 200	60	0.25	45	2700	219	6.2	0.413	103	60
	Single-Phase 220	60	0.25	48	2950	233	6.6	0.425	106	62
	Single-Phase 230	50	0.20	40	2700	219	6.2	0.314	78	60
	Single-Phase 230	60	0.25	50	3000	240	6.8	0.425	106	63

- Values for maximum air flow and maximum static pressure are measured by the double-chamber method.
- Noise level is measured in the A range, at a distance of 3.3 feet from the fan intake side.
- A thermal protector is installed. If the fan heats up, the thermal protector goes into operation and the fan stops. Once the fan temperature drops, it will automatically restart. Perform inspection work after turning off the power source.
- Fans bearing the CE mark should only be used with Class I equipment. When installing into the equipment, either ground the fan or ensure that there is no contact with bare hands. For protection, use the optional finger guard.
- Standards specifications are listed on page D-2.

Air Flow — Static Pressure Characteristics

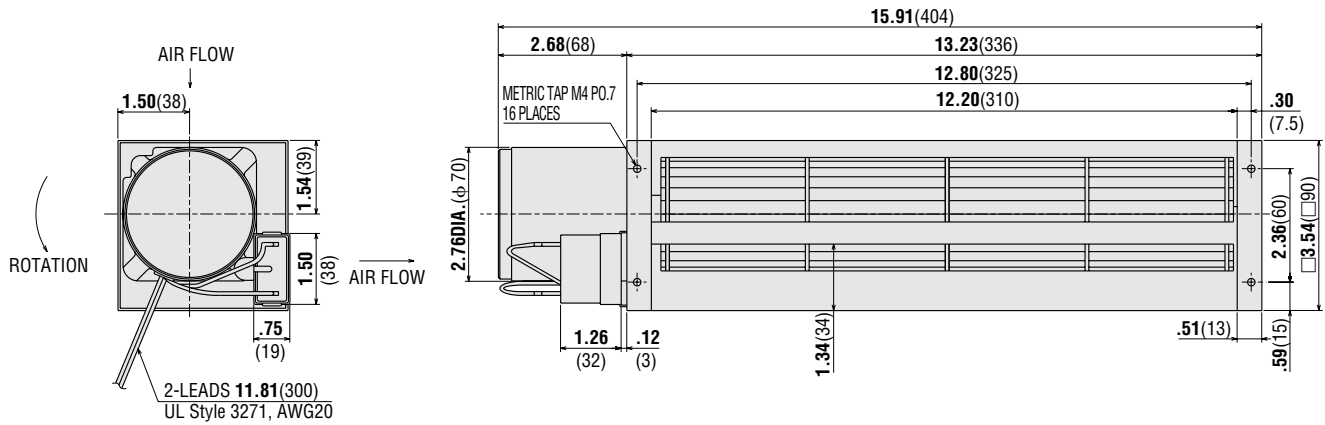
Audible Noise Frequency Analysis

Measure at a distance of 3.3 feet from the fan intake side

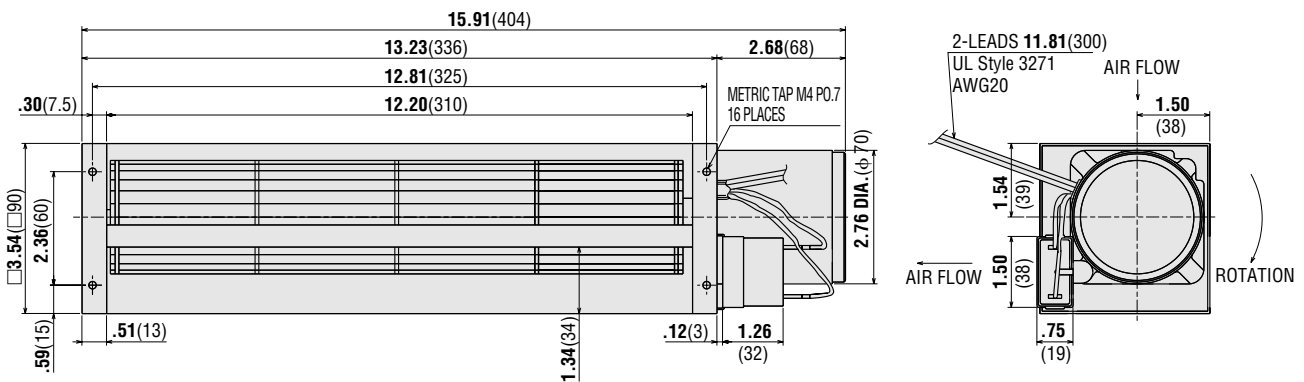


■ **Dimensions** Scale 1/4, Unit = inch (mm)

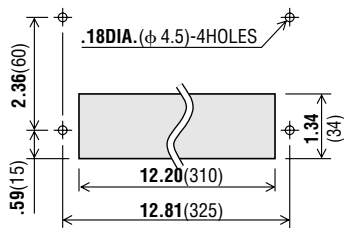
● **MF930** Weight (Mass): 4.2 lb. (1.9kg)



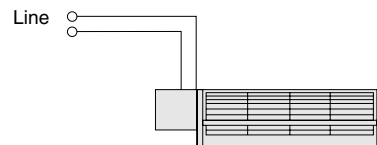
● **MF930B** Weight (Mass): 4.2 lb. (1.9kg)



■ **Panel Cut-Out** Unit = inch (mm)



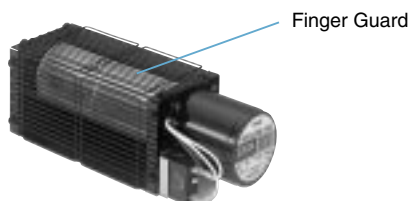
■ **Wiring Diagram**



■ **Accessories** (Sold separately)

Item	Model	Safety Standards	Page
Finger Guard	FG930D	*	C-100

* These products have been designed to pass tests set forth under the UL and CSA standards for equipment used in fans. They conform to the standards only when used on an **ORIX.FAN**.



The photo shows two finger guards.

MF Series

AC Cross Flow Fans

Length of Impeller
5.91 in. (150 mm)



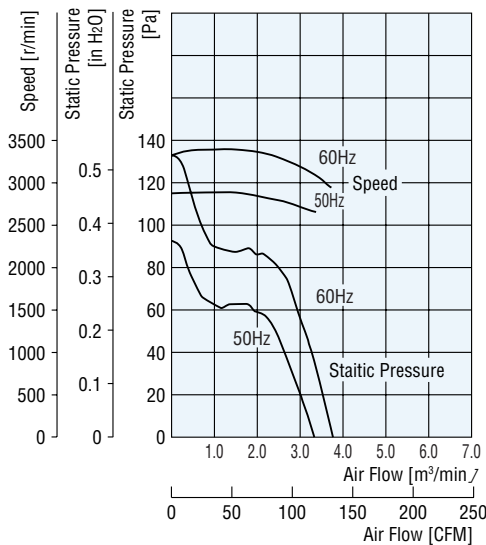
Materials
 Impeller: Aluminum
 Casing: Steel
 Motor case: Die Cast Aluminum

Specifications

Model	Voltage V	Frequency Hz	Current A	Input Power W	Speed r/min	Max. Air Flow		Max. Static Pressure		Noise Level dB (A)
						CFM	m ³ /min	in H ₂ O	Pa	
MF915-BC MF915B-BC	Single-Phase 100	50	0.35	30	2650	120	3.4	0.354	88	60
	Single-Phase 100	60	0.45	40	2950	131	3.7	0.511	127	63
	Single-Phase 110	60	0.45	42	3200	141	4.0	0.531	132	64
	Single-Phase 115	60	0.45	43	3250	145	4.1	0.531	132	64
MF915-DC MF915B-DC	Single-Phase 200	50	0.20	30	2650	120	3.4	0.354	88	60
	Single-Phase 200	60	0.25	40	2950	131	3.7	0.511	127	63
	Single-Phase 220	60	0.25	42	3200	141	4.0	0.531	132	64
	Single-Phase 230	50	0.20	33	2800	127	3.6	0.370	92	61
	Single-Phase 230	60	0.25	43	3250	145	4.1	0.531	132	64

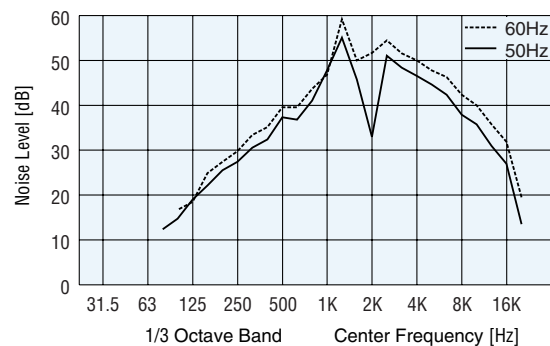
- Values for maximum air flow and maximum static pressure are measured by the double-chamber method.
- Noise level is measured in the A range, at a distance of 3.3 feet from the fan intake side.
- A thermal protector is installed. If the fan heats up, the thermal protector goes into operation and the fan stops. Once the fan temperature drops, it will automatically restart. Perform inspection work after turning off the power source.
- Fans bearing the CE mark should only be used with Class I equipment. When installing into the equipment, either ground the fan or ensure that there is no contact with bare hands. For protection, use the optional finger guard.
- Standards specifications are listed on page D-2.

Air Flow — Static Pressure Characteristics



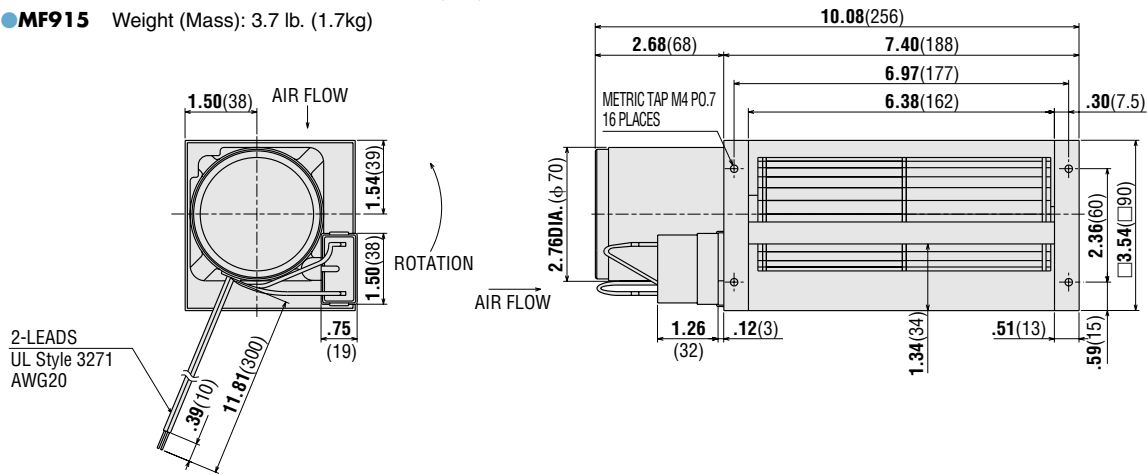
Audible Noise Frequency Analysis

Measure at a distance of 3.3 feet from the fan intake side

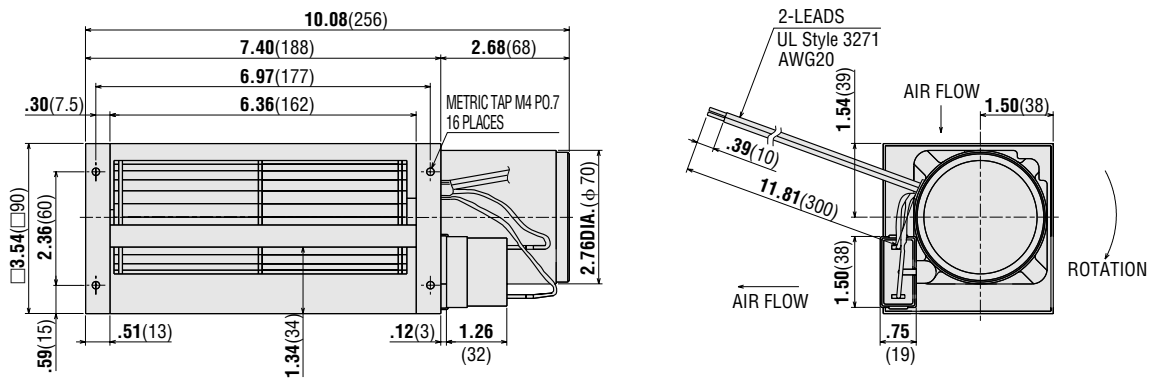


■ **Dimensions** Scale 1/4, Unit = inch (mm)

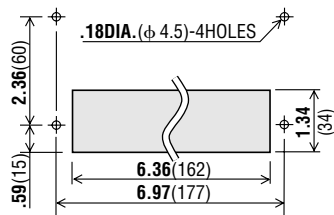
● **MF915** Weight (Mass): 3.7 lb. (1.7kg)



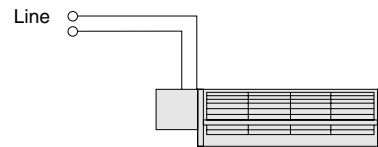
● **MF915B** Weight (Mass): 3.7 lb. (1.7kg)



■ **Panel Cut-Out** Unit = inch (mm)



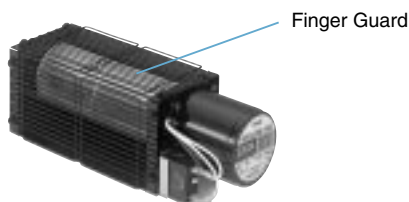
■ **Wiring Diagram**



■ **Accessories** (Sold separately)

Item	Model	Safety Standards	Page
Finger Guard	FG915D	*	C-100

* These products have been designed to pass tests set forth under the UL and CSA standards for equipment used in fans. They conform to the standards only when used on an **ORIX.FAN**.



The photo shows two finger guards.